



# INSTALLATION INSTRUCTIONS

Accessory

RUBBER FLOOR MAT  
P/N OSP63-HL4-102

Application

SXS1000M3P/M3D/M3LS/  
M5P/M5D/M5LS

Publication No.

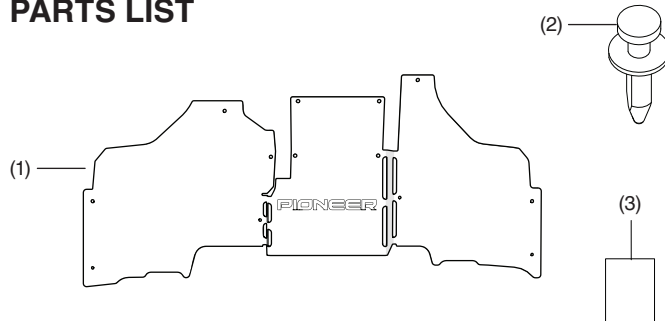
MII 17762

Issue Date

February 2022

**Honda Dealer: Please give a copy of these instructions to your customer.**

## PARTS LIST



No.	Description	Qty
(1)	Rubber Floor Mat	1
(2)	Trim clip	13
(3)	Installation Instruction URL	1

## TOOLS AND SUPPLIES REQUIRED

Power drill

5/16 inch (8 mm) drill bit

Flat screwdriver

4 mm allen wrench

## TORQUE CHART

Tighten all screws, bolts, and nuts to their specified torque values. Refer to the Service Manual for the torque values of the removed parts.

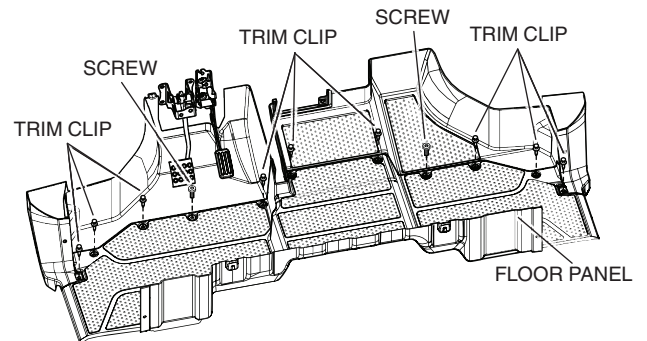
## USE AND CARE INFORMATION

- Replace this accessory with a new one if it is damaged or discolored.
- When this accessory becomes dirty, rinse it thoroughly with cool water to remove loose dirt, then wipe with a clean cloth or sponge.
- Never clean with, or expose the rubber floor mat to petroleum solvents such as gasoline, thinner, benzene, acid, or alkaline cleaners.
- Wipe up spilled brake or battery fluid at once as it may damage the surface of the rubber floor mat.

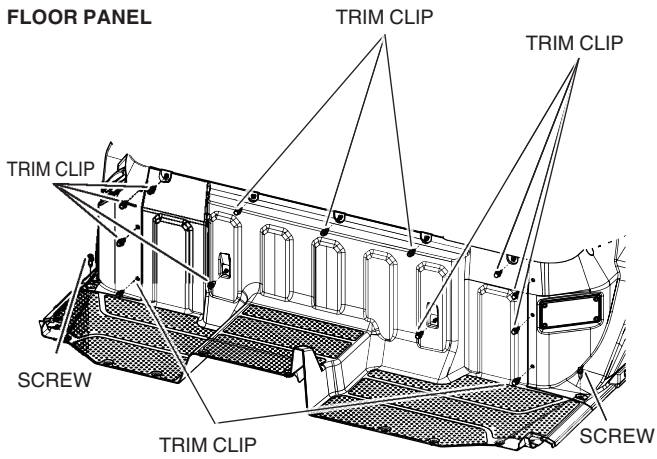
## INSTALLATION

**NOTICE:** There are various fluid lines underneath the passenger floor panel. The vehicle floor panel must be removed prior to drilling operations to avoid damaging fluid lines.

1. Ensure the footwell is clean, empty, and dry.
2. Remove the nine trim clips and two screws from the floor panel as shown.

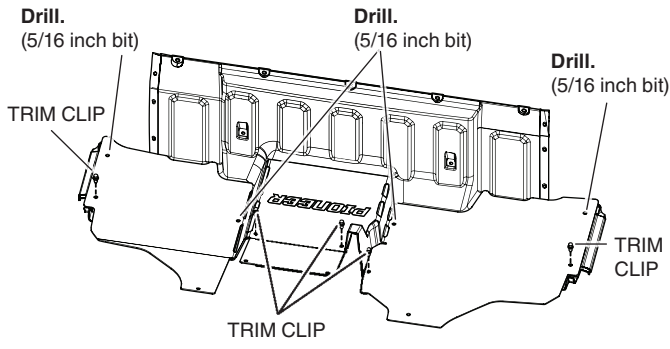


- Remove the front seat cushion to access the floor panel trim clips directly underneath.
- Remove the 13 trim clips and two screws from the rear of the floor panel and then carefully remove the entire floor panel from the vehicle.



- Place the accessory rubber floor mat over the floor panel and install five new trim clips into the holes shown.
- Using the rubber floor mat as a template, drill four 5/16 inch (8 mm) holes at the indicated locations as shown.

**NOTICE: To avoid damaging the vehicle, the floor panel must be removed from the vehicle prior to drilling.**



- Remove the rubber floor mat from the floor panel. Reinstall the floor panel into the vehicle, excluding the five trim clip locations used in Step 5.
- Reinstall the rubber floor mat using five new trim clips at holes used in Step 5. Install four new trim clips into the holes drilled in Step 6.

- Using the rubber floor mat as a template, drill four 5/16 inch (8 mm) holes at the indicated locations as shown.
- Install the four remaining new trim clips into the holes drilled in Step 9.

